

“Conquer Your Mountains of Data”

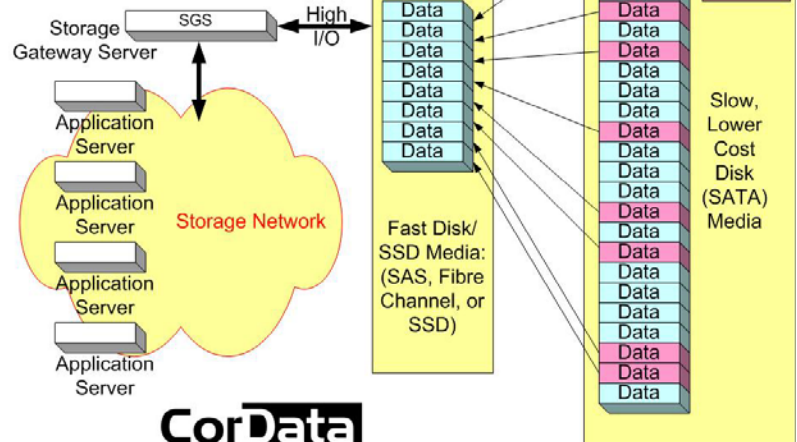
Distributed Global Cache...

The next Step in Storage Networking

In-band storage management appliance features large front-end cache for mixed server and storage environments. Cache may consist of RAM, SSD, or very fast JBOD or RAID array resources. Cache is dynamically managed and delivers significant performance improvements for multiple servers and applications across the entire storage network.

CorData Global Cache

Storage Gateway Server dynamically allocates high performance media to the most active data blocks in your SAN attached storage, and de-stages data back to standard media if activity drops below user-defined levels.



Distributed Global Cache

Advanced storage networking with a simple, affordable, open systems approach.

CorData offers an easy-to-use storage gateway server architecture based on inexpensive Linux server technology. Storage Gateway Servers (SGS) manage access to SCSI, fibre channel, network attached, or iSCSI attached storage resources.

Distributed Global Caching

CorData Storage Gateway Servers support dynamic block caching utilizing a range of cache media, such as SGS RAM, Solid-State Disk (SSD), or fast JBOD or RAID disk arrays. Blocks are dynamically migrated to/from cache based on activity and user defined parameters, and blocks are promoted/demoted based on different algorithms controlling user-defined cache resources. Read cache, write cache, or a combination are supported.

Centralized Management

CorData storage gateways are the ideal solution for centralized management of diverse storage resources in a mixed server environment. Inexpensive gateways provide a consistent and centralized storage management interface, with support for any standard SCSI or fibre channel attached storage device. Your diverse mix of storage arrays will benefit from a common, centralized front-end cache supporting active/active SGS clusters for no-single-point-of-failure storage network solutions.

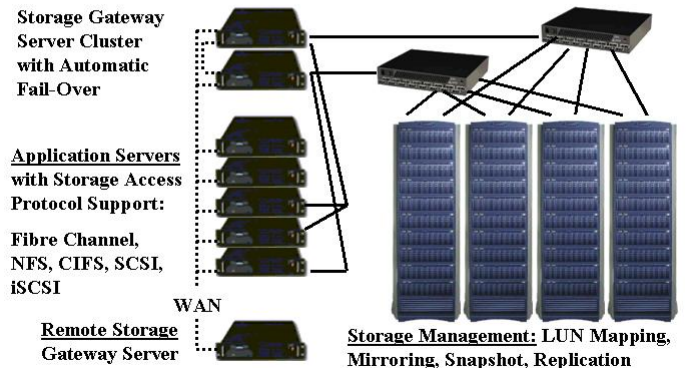
CorData

“Conquer Your Mountains of Data”

‘Networked storage solutions are a service, not a product’.

Ethernet Network

Fibre Channel Network



Distributed Global Cache

High Performance Architecture

CorData SGS feature multiple high performance fibre channel connections running at up to 2Gb/sec for your highest performance storage applications.

The next step in data storage technology

CorData delivers unsurpassed data storage value by combining best-of-breed storage hardware, world-class storage management software tools, and exceptional storage implementation services to deliver the best available data storage solutions for your investment.

Vendor independent solutions

CorData is a storage services company that also offers products. Most of our competitors are the opposite; storage product companies that also offer services. We think they are looking through the wrong end of the telescope, constantly trying to lock clients into their products instead of recommending the best combination of components to integrate a customized solution at the lowest possible cost.

Economical, advanced technology storage solutions

Delivering vendor independent solutions does not mean delivering inferior solutions. We select best-of-breed products from many of the same OEM sources utilized by companies such as Dell, Network Appliance, Sun, HP, and EMC. The biggest difference is cost, not quality.

Low Cost Global
Cache Enhances
Existing Storage
Resources

Global Cache via:
RAM
Solid-State Disk
Fast JBOD/RAID

CorData

CorData, Inc. www.CorDataSys.com
11350 Random Hills Road, Suite 800
Fairfax, VA 22030
Phone: 703-279-6460, Fax: 703-279-6463

CorData Global Cache Storage Solutions